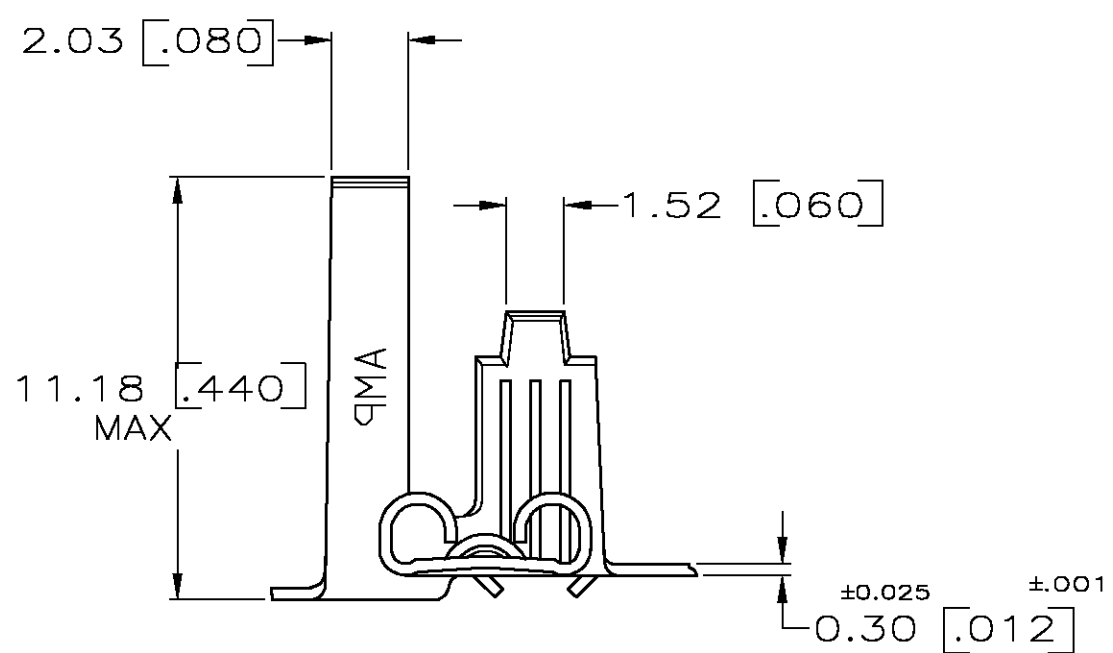
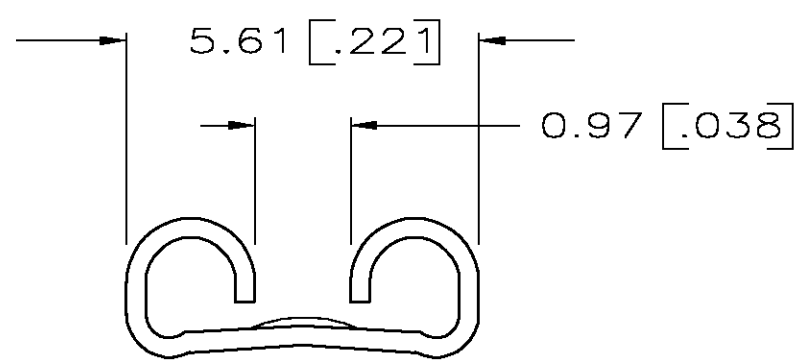
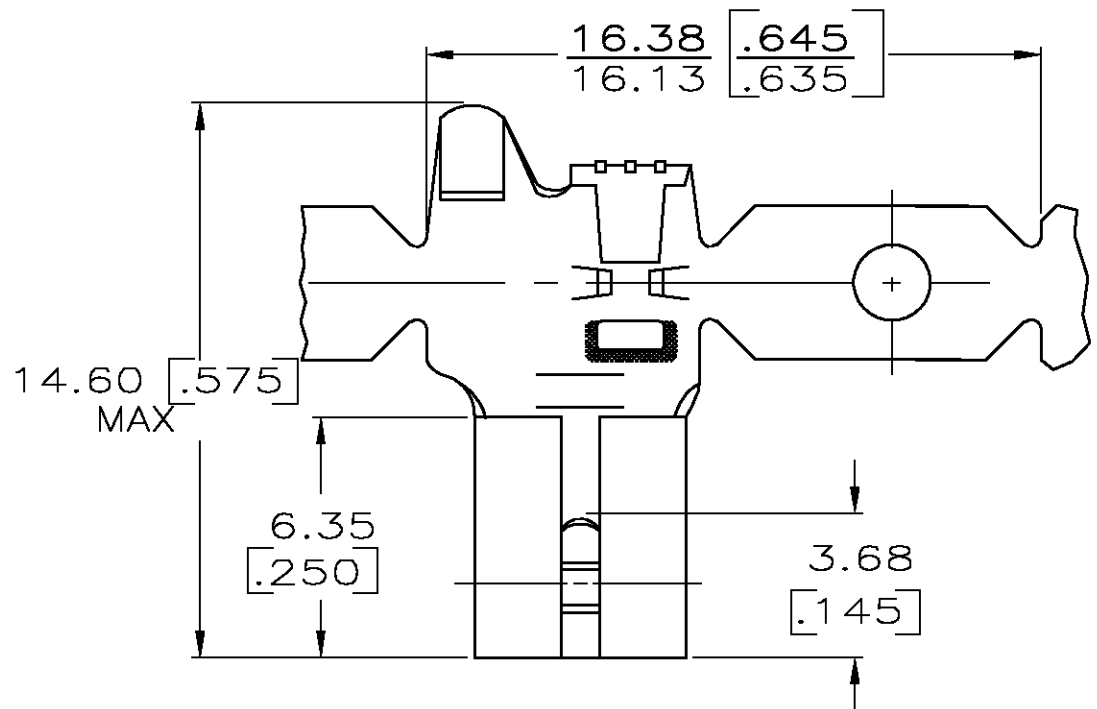


THIS DRAWING IS UNPUBLISHED. RELEASED FOR PUBLICATION
 © COPYRIGHT BY TYCO ELECTRONICS CORPORATION. ALL RIGHTS RESERVED.

LOC	DIST	REVISIONS			
P	LTR	DESCRIPTION	DATE	DWN	APVD
AF	50	E	REV PER 0G3A-0856-04	26OCT04	JR PD

- 1 CONTINUOUS STRIP ON REELS
- 2 DIMENSIONS IN BRACKETS ARE IN INCHES
- 3 WIRE SIZE IS [#20-#16] AWG
- 4 INSULATION RANGE IS 4.32-5.71
[.170-.225] DIA
- 5 MATING TAB THK IS 0.51±0.025 [.020±.001]
- △ 6 PRELIMINARY - NOT FOR PRODUCTION



0.002032 [.000080] MIN TIN	△ 6 62817-2
-	62817-1
FINISH	PART NO.

THIS DRAWING IS A CONTROLLED DOCUMENT.		DWN	JR RUTH	5/19/87	Tyco Electronics Corporation Harrisburg, Pa 17105-3608		
DIMENSIONS: INCHES		CHK	G YETTER	7/9/87			
		TOLERANCES UNLESS OTHERWISE SPECIFIED:		APVD	R KUZO	7/9/87	NAME RECEPTACLE, FASTON, FLAG, .187 SERIES
MATERIAL		FINISH		PRODUCT SPEC		APPLICATION SPEC	
#4H BRASS		SEE TABLE		-		APPLICATION SPEC	SIZE
				WEIGHT		-	CAGE CODE
				CUSTOMER DRAWING		-	DRAWING NO
						-	RESTRICTED TO
						-	SCALE
						-	SHEET
						-	OF
						-	REV
						-	E